

BRIDAS SAE

SAE Flanges
Brides de fixation SAE
Flangia SAE



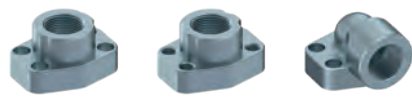
BRIDAS SAE **258**

SAE Flanges
Brides de fixation SAE
Flange SAE

BRIDAS SAE

SAE Flanges
Brides de fixation SAE
Flange SAE

Bridas Roscadas ▪ Threaded flanges ▪ Brides taraudées ▪ Flangia filettate

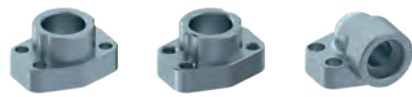


BBRG

BCRG

B90RG

Bridas soldables tubo gas ▪ Welding flanges for gas tube ▪ Brides à souder pour tube gaz ▪ Flangia a saldare per tubo gas

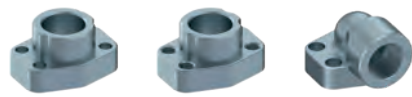


BBSG

BCSG

B90SG

Bridas soldables tubo métrico ▪ Welding flanges for metric tube ▪ Brides à souder pour tube métrique ▪ Flangia a saldare per tubo Metrico



BB SM

BC SM

B90 SM

Bridas soldables macho ▪ Male welding flanges ▪ Brides à souder mâle ▪ Flangia a saldare maschio



BMSG

BCMSG

BMSM

BCMSM

BMSLM

BCMSLM

Accesorios bridas ▪ Flange accessories ▪ Accessoires pour brides ▪ Accesori flangia



TBSAE

JBR

JUNTAS

Bridas roscadas macho ▪ Male threaded flanges ▪ Brides taraudées mâle ▪ Flangia filettate maschio



BMRG

BMRM

Bridas ciegas ▪ Blind flanges ▪ Brides avec obturateur fermé ▪ Flangia cieche



BBC

BCC

Bridas para flexibles ▪ SAE Flanges for hoses ▪ Brides SAE pour flexibles ▪ Flangia SAE per tubi flessibili



BBP

BBE

BCE

Conos soldar ▪ Welding adaptors for flanges ▪ Collets à souder ▪ Codoli a saldare



BSM31/61

BSM30/60

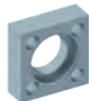
BRIDAS SAE

SAE Flanges
Brides de fixation SAE
Flange SAE

Bridas Cetop ▪ Cetop flanges ▪ Brides Cetop ▪ Flangia Cetop



BCTS



BCT

BRIDAS SAE

SAE Flanges
Brides de fixation SAE
Flange SAE

Brida roscada hembra BSP

BSP Female threaded flange

Bride taraudée femelle BSP

Flangia filettata femmina BSP



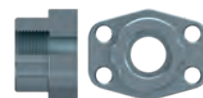
SERIE	ROSCA THREAD	TAMAÑO SIZE	Referencia Part n°	€
3000 PSI	1/2" BSP	1/2"	BBRG30808	15,21
3000 PSI	3/8" BSP	1/2"	BBRG30806	15,21
3000 PSI	3/4" BSP	3/4"	BBRG31212	17,34
3000 PSI	1/2" BSP	3/4"	BBRG31208	17,34
3000 PSI	1" BSP	1"	BBRG31616	20,08
3000 PSI	3/4" BSP	1"	BBRG31612	20,08
3000 PSI	1"1/4 BSP	1"1/4	BBRG32020	25,04
3000 PSI	1" BSP	1"1/4	BBRG32016	25,04
3000 PSI	1"1/2 BSP	1"1/2	BBRG32424	33,76
3000 PSI	1"1/4 BSP	1"1/2	BBRG32420	38,22
3000 PSI	2" BSP	2"	BBRG33232	47,38
3000 PSI	1"1/2 BSP	2"	BBRG33224	38,53
3000 PSI	2"1/2 BSP	2"1/2	BBRG34040	85,42
3000 PSI	2" BSP	2"1/2	BBRG34032	64,58
3000 PSI	2"1/2 BSP	3"	BBRG34840	64,08
3000 PSI	3" BSP	3"	BBRG34848	58,60
3000 PSI	3"1/2 BSP	3"1/2	BBRG35656	111,91
3000 PSI	3" BSP	3"1/2	BBRG35648	118,97
3000 PSI	4" BSP	4"	BBRG36464	102,10
3000 PSI	3"1/2 BSP	4"	BBRG36456	128,97
6000 PSI	1/2" BSP	1/2"	BBRG60808	18,55
6000 PSI	3/8" BSP	1/2"	BBRG60806	18,55
6000 PSI	3/4" BSP	3/4"	BBRG61212	27,68
6000 PSI	1/2" BSP	3/4"	BBRG61208	27,68
6000 PSI	1" BSP	1"	BBRG61616	33,76
6000 PSI	3/4" BSP	1"	BBRG61612	33,76
6000 PSI	1"1/4 BSP	1"1/4	BBRG62020	48,16
6000 PSI	1" BSP	1"1/4	BBRG62016	48,16
6000 PSI	1"1/4 BSP	1"1/2	BBRG62420	80,20
6000 PSI	1"1/2 BSP	1"1/2	BBRG62424	80,20
6000 PSI	2" BSP	2"	BBRG63232	101,67
6000 PSI	1"1/2 BSP	2"	BBRG63224	115,99

Contrabrida roscada hembra BSP

BSP Female threaded counter-flange

Contre-bride taraudée femelle BSP

Controflangia filettata femmina BSP



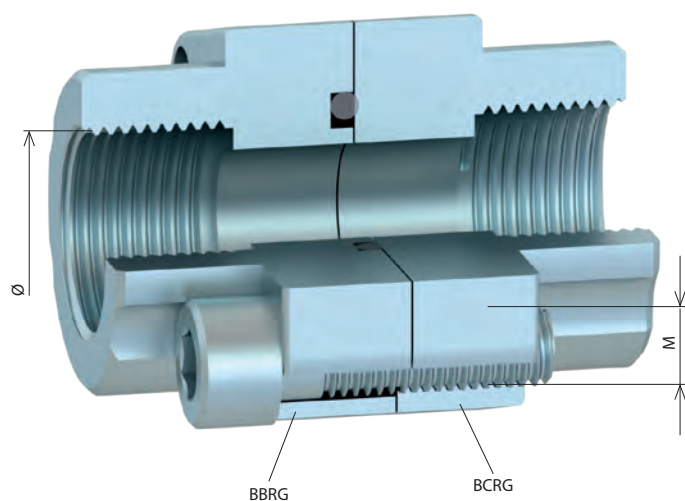
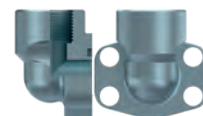
SERIE	ROSCA THREAD	TAMAÑO SIZE	Referencia Part n°	€
3000 PSI	1/2" BSP	1/2"	BCRG30808	15,21
3000 PSI	3/8" BSP	1/2"	BCRG30806	17,54
3000 PSI	3/4" BSP	3/4"	BCRG31212	17,34
3000 PSI	1/2" BSP	3/4"	BCRG31208	19,97
3000 PSI	1" BSP	1"	BCRG31616	19,97
3000 PSI	3/4" BSP	1"	BCRG31612	25,08
3000 PSI	1"1/4 BSP	1"1/4	BCRG32020	26,46
3000 PSI	1" BSP	1"1/4	BCRG32016	31,02
3000 PSI	1"1/2 BSP	1"1/2	BCRG32424	35,49
3000 PSI	1"1/4 BSP	1"1/2	BCRG32420	49,84
3000 PSI	2" BSP	2"	BCRG33232	40,05
3000 PSI	1"1/2 BSP	2"	BCRG33224	44,51
3000 PSI	2"1/2 BSP	2"1/2	BCRG34040	64,18
3000 PSI	2" BSP	2"1/2	BCRG34032	71,94
3000 PSI	3" BSP	3"	BCRG34848	92,39
3000 PSI	2"1/2 BSP	3"	BCRG34840	94,55
3000 PSI	3"1/2 BSP	3"1/2	BCRG35656	108,95
3000 PSI	3" BSP	3"1/2	BCRG35648	91,15
3000 PSI	4" BSP	4"	BCRG36464	90,34
3000 PSI	3"1/2 BSP	4"	BCRG36456	98,75
6000 PSI	1/2" BSP	1/2"	BCRG60808	18,55
6000 PSI	3/8" BSP	1/2"	BCRG60806	18,55
6000 PSI	3/4" BSP	3/4"	BCRG61212	27,68
6000 PSI	1/2" BSP	3/4"	BCRG61208	27,68
6000 PSI	1" BSP	1"	BCRG61616	33,76
6000 PSI	3/4" BSP	1"	BCRG61612	31,84
6000 PSI	1"1/4 BSP	1"1/4	BCRG62020	48,16
6000 PSI	1" BSP	1"1/4	BCRG62016	44,51
6000 PSI	1"1/2 BSP	1"1/2	BCRG62424	80,20
6000 PSI	1"1/4 BSP	1"1/2	BCRG62420	64,08
6000 PSI	2" BSP	2"	BCRG63232	101,67
6000 PSI	1"1/2 BSP	2"	BCRG63224	84,26

Brida codo 90º roscada hembra BSP

90º BSP female threaded flange

Bride 90º taraudée femelle BSP

Flangia a 90º filettata femmina BSP



SERIE	ROSCA THREAD	TAMAÑO SIZE	Referencia Part n°	€
3000 PSI	1/2" BSP	1/2"	B9RG30808	40,45
3000 PSI	3/8" BSP	1/2"	B9RG30806	43,58
3000 PSI	3/4" BSP	3/4"	B9RG31212	46,54
3000 PSI	1" BSP	1"	B9RG31616	49,78
3000 PSI	1"1/4 BSP	1"1/4	B9RG32020	58,10
3000 PSI	1"1/2 BSP	1"1/2	B9RG32424	74,22
3000 PSI	2" BSP	2"	B9RG33232	89,73
6000 PSI	1/2" BSP	1/2"	B9RG60808	47,15
6000 PSI	3/8" BSP	1/2"	B9RG60806	47,15
6000 PSI	3/4" BSP	3/4"	B9RG61212	50,09
6000 PSI	1" BSP	1"	B9RG61616	57,59
6000 PSI	1"1/4 BSP	1"1/4	B9RG62020	73,40
6000 PSI	1"1/2 BSP	1"1/2	B9RG62424	88,92

BRIDAS SAE

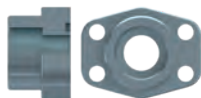
SAE Flanges
Brides de fixation SAE
Flange SAE

Brida soldable hembra tubo gas

Welding female flange for gas tube

Bride à souder femelle tube gaz

Flangia a saldare di tasca per tubo gas



SERIE	Ø INT. Ø INNER	TAMAÑO SIZE	Referencia Part nº	€
3000 PSI	21.6	1/2"	BBSG308216	14,21
3000 PSI	17.5	1/2"	BBSG308175	15,21
3000 PSI	27.2	3/4"	BBSG312272	17,34
3000 PSI	34	1"	BBSG316340	19,97
3000 PSI	42.8	1"1/4	BBSG320428	26,46
3000 PSI	48.6	1"1/2	BBSG324486	35,49
3000 PSI	61	2"	BBSG332610	40,05
3000 PSI	76.6	2"1/2	BBSG340766	64,18
3000 PSI	90.5	3"	BBSG348905	55,46
3000 PSI	103	3"1/2	BBSG3561030	78,88
3000 PSI	115.5	4"	BBSG341155	144,38
6000 PSI	17.5	1/2"	BBSG608175	20,68
6000 PSI	21.6	1/2"	BBSG608216	20,68
6000 PSI	27.2	3/4"	BBSG612272	27,68
6000 PSI	34	1"	BBSG621612	33,76
6000 PSI	42.8	1"1/4	BBSG620428	48,16
6000 PSI	48.6	1"1/2	BBSG624486	73,25
6000 PSI	61	2"	BBSG632610	96,46

Contrabrida soldable hembra tubo gas

Welding female counter-flange for gas tube

Contre-bride à souder femelle tube gaz

Controflangia a saldare di tasca per tubo gas



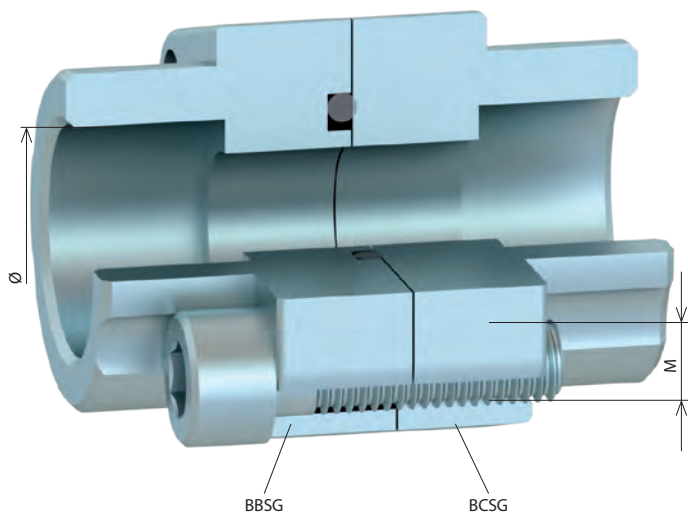
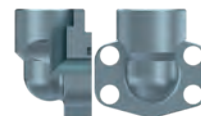
SERIE	Ø INT. Ø INNER	TAMAÑO SIZE	Referencia Part nº	€
3000 PSI	21.6	1/2"	BCSG308216	18,35
3000 PSI	17.5	1/2"	BCSG308175	15,21
3000 PSI	27.2	3/4"	BCSG312272	17,34
3000 PSI	34	1"	BCSG316340	19,97
3000 PSI	42.8	1"1/4	BCSG320428	26,46
3000 PSI	48.6	1"1/2	BCSG324486	35,49
3000 PSI	61	2"	BCSG332610	40,05
3000 PSI	76.6	2"1/2	BCSG340766	46,03
3000 PSI	90.5	3"	BCSG348905	83,32
3000 PSI	103	3"1/2	BCSG3561030	78,88
3000 PSI	115.5	4"	BCSG3641155	84,26
6000 PSI	21.6	1/2"	BCSG608216	20,68
6000 PSI	27.2	3/4"	BCSG612272	27,68
6000 PSI	34	1"	BCSG616340	33,76
6000 PSI	42.8	1"1/4	BCSG620428	48,16
6000 PSI	48.6	1"1/2	BCSG624486	73,25
6000 PSI	61	2"	BCSG632610	96,46

Brida codo 90º soldable hembra tubo gas

90º welding female flange for gas tube

Bride 90º à souder femelle tube gaz

Flangia a 90º a saldare di tasca per tubo gas



SERIE	Ø INT. Ø INNER	TAMAÑO SIZE	Referencia Part nº	€
3000 PSI	21.6	1/2"	B90SG308216	40,50
3000 PSI	17.5	1/2"	B90SG308175	37,81
3000 PSI	27.2	3/4"	B90SG312272	43,49
3000 PSI	34	1"	B90SG316340	46,52
3000 PSI	42.8	1"1/4	B90SG320428	55,46
3000 PSI	48.6	1"1/2	B90SG324486	67,93
3000 PSI	61	2"	B90SG332610	82,73
6000 PSI	21.6	1/2"	B90SG608216	44,06
6000 PSI	17.5	1/2"	B90SG608175	56,09
6000 PSI	27.2	3/4"	B90SG612272	47,65
6000 PSI	34	1"	B90SG616340	55,46
6000 PSI	42.8	1"1/4	B90SG620428	82,53
6000 PSI	48.6	1"1/2	B90SG624486	117,78

BRIDAS SAE

SAE Flanges
Brides de fixation SAE
Flange SAE

Brida soldable hembra tubo métrico

Female welding flange for metric tube

Bride à souder femelle tube métrique

Flangia a saldare di tasca per tubo Metrico



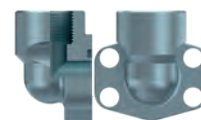
SERIE	Ø INT. Ø INNER	TAMAÑO SIZE	Referencia Part nº	€
3000 PSI	20.3	1/2"	BBSM308203	14,21
3000 PSI	25.3	3/4"	BBSM312253	19,06
3000 PSI	30.3	1"	BBSM316303	22,31
3000 PSI	38.3	1"1/4	BBSM320383	25,45
3000 PSI	50.5	1"1/2	BBSM324505	32,65
6000 PSI	20.3	1/2"	BBSM608203	19,33
6000 PSI	25.3	3/4"	BBSM612253	25,87
6000 PSI	30.3	1"	BBSM616303	26,26
6000 PSI	38.3	1"1/4	BBSM620383	36,70
6000 PSI	50.5	1"1/2	BBSM624505	54,65

Brida codo 90º soldable hembra tubo métrico

90º female welding flange for metric tube

Bride 90º à souder femelle tube métrique

Flangia a 90º a saldare di tasca per tubo Metrico



SERIE	Ø INT. Ø INNER	TAMAÑO SIZE	Referencia Part nº	€
3000 PSI	20.3	1/2"	B90SM308203	39,24
3000 PSI	25.3	3/4"	B90SM312253	43,49
3000 PSI	30.3	1"	B90SM316303	46,52
3000 PSI	38.3	1"1/4	B90SM320383	65,00
3000 PSI	50.5	1"1/2	B90SM324505	91,06
6000 PSI	20.3	1/2"	B90SM608203	44,06
6000 PSI	25.3	3/4"	B90SM612253	44,54
6000 PSI	30.3	1"	B90SM616303	55,46
6000 PSI	38.3	1"1/4	B90SM620383	67,93
6000 PSI	50.3	1"1/2	B90SM624503	82,73

Contrabrida soldable hembra tubo métrico

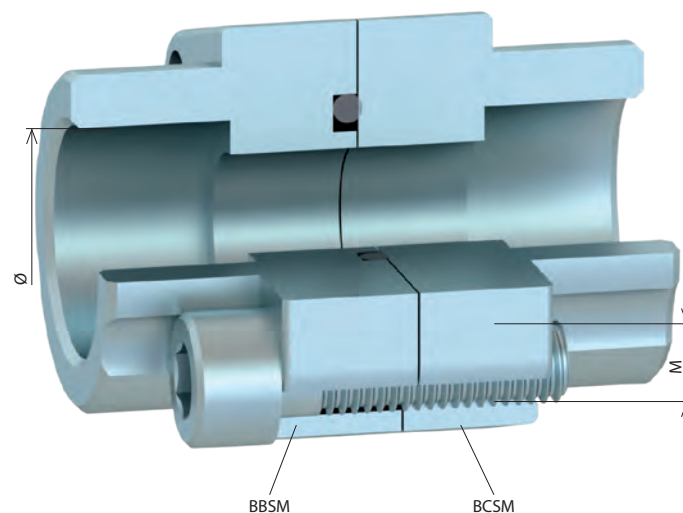
Female welding counter-flange for metric tube

Contre-bride à souder femelle tube métrique

Controflangia a saldare di tasca per tubo Metrico



SERIE	Ø INT. Ø INNER	TAMAÑO SIZE	Referencia Part nº	€
3000 PSI	20.3	1/2"	BCSM308203	14,21
3000 PSI	25.3	3/4"	BCSM312253	19,06
3000 PSI	30.3	1"	BCSM316303	22,31
3000 PSI	38.3	1"1/4	BCSM320383	25,45
6000 PSI	20.3	1/2"	BCSM608203	20,68
6000 PSI	25.3	3/4"	BCSM612253	22,31
6000 PSI	30.3	1"	BCSM616303	26,26
6000 PSI	38.3	1"1/4	BCSM620383	36,70
6000 PSI	50.5	1"1/2	BCSM624505	54,65



BRIDAS SAE

SAE Flanges
Brides de fixation SAE
Flange SAE

Brida soldable macho tubo gas

Male welding flange for gas tube

Bride à souder mâle tube gaz

Flangia a saldare di testa tubo gas



SERIE	Ø EXT. Ø OUTER	TAMAÑO SIZE	Referencia Part n°	€
3000 PSI	21.5	1/2"	BMSG308215	18,35
3000 PSI	17.5	1/2"	BMSG308175	18,35
3000 PSI	28	3/4"	BMSG312280	17,15
3000 PSI	34	1"	BMSG316340	22,31
3000 PSI	42.8	1"1/4	BMSG320428	24,73
3000 PSI	48.6	1"1/2	BMSG324486	42,17
3000 PSI	61	2"	BMSG332610	39,03
3000 PSI	77	2"1/2	BMSG340770	46,03
3000 PSI	92	3"	BMSG348920	55,46
3000 PSI	103	3"1/2	BMSG356103	78,88
6000 PSI	21.5	1/2"	BMSG608215	20,68
6000 PSI	17.5	1/2"	BMSG608175	20,68
6000 PSI	28	3/4"	BMSG612280	20,85
6000 PSI	34	1"	BMSG616340	30,61
6000 PSI	42.8	1"1/4	BMSG620428	34,30
6000 PSI	48.6	1"1/2	BMSG624486	51,07
6000 PSI	61	2"	BMSG632610	71,99

Contrabrida soldable macho tubo gas

Male welding counter-flange for gas tube

Contre-bride à souder mâle tube gaz

Controflangia a saldare di testa tubo gas



SERIE	Ø EXT. Ø OUTER	TAMAÑO SIZE	Referencia Part n°	€
3000 PSI	21.5	1/2"	BCMSG308215	18,35
3000 PSI	17.5	1/2"	BCMSG308175	18,35
3000 PSI	28	3/4"	BCMSG312280	17,15
3000 PSI	34	1"	BCMSG316340	20,85
3000 PSI	42.8	1"1/4	BCMSG320428	33,81
3000 PSI	48.6	1"1/2	BCMSG324486	32,65
3000 PSI	61	2"	BCMSG332610	39,03
3000 PSI	77	2"1/2	BCMSG340770	61,78
3000 PSI	92	3"	BCMSG348920	55,46
3000 PSI	103	3"1/2	BCMSG561030	78,88
3000 PSI	115.5	4"	BCMSG3641155	84,26
6000 PSI	21.5	1/2"	BCMSG608215	20,68
6000 PSI	17.5	1/2"	BCMSG608175	20,68
6000 PSI	28	3/4"	BCMSG612280	22,31
6000 PSI	34	1"	BCMSG616340	30,61
6000 PSI	42.8	1"1/4	BCMSG620428	36,70
6000 PSI	48.6	1"1/2	BCMSG624486	54,65
6000 PSI	61	2"	BCMSG632610	71,99

Brida soldable macho tubo métrico

Male welding flange for metric tube

Bride à souder mâle tube métrique

Flangia a saldare di testa tubo Metrico



SERIE	Ø EXT. Ø OUTER	TAMAÑO SIZE	Referencia Part n°	€
3000 PSI	25	3/4"	BMSM31225	24,92
3000 PSI	30	1"	BMSM31630	29,09
3000 PSI	38	1"1/4	BMSM32038	33,25
3000 PSI	42	1"1/2	BMSM32442	42,63
3000 PSI	61	2"	BMSM33261	39,03
3000 PSI	49	2"	BMSM33249	39,03
3000 PSI	77	3"	BMSM34877	55,46
3000 PSI	77	3"1/2	BMSM35677	102,96
3000 PSI	90	3"1/2	BMSM35690	102,96
3000 PSI	77	4"	BMSM36477	84,26
3000 PSI	90	4"	BMSM36490	84,26
6000 PSI	20	1/2"	BMSM60820	20,68
6000 PSI	20	3/4"	BMSM61220	29,09
6000 PSI	25	3/4"	BMSM61225	29,09
6000 PSI	25	1"	BMSM61625	36,06
6000 PSI	30	1"	BMSM61630	36,06
6000 PSI	38	1"1/4	BMSM62038	47,91
6000 PSI	38	1"1/2	BMSM62438	71,32
6000 PSI	61	2"	BMSM63261	71,99

Contrabrida soldable macho tubo métrico

Male welding counter-flange for metric tube

Contre-bride à souder mâle tube métrique

Controflangia a saldare di testa tubo Metrico



SERIE	Ø EXT. Ø OUTER	TAMAÑO SIZE	Referencia Part n°	€
3000 PSI	25	3/4"	BCMSM31225	19,06
3000 PSI	30	1"	BCMSM31630	22,31
3000 PSI	38	1"1/4	BCMSM32038	33,25
3000 PSI	42	1"1/2	BCMSM32442	32,65
3000 PSI	49	1"1/2	BCMSM32449	42,63
3000 PSI	61	2"	BCMSM33261	39,03
3000 PSI	49	2"	BCMSM33249	48,72
3000 PSI	77	2"1/2	BCMSM34077	46,03
3000 PSI	77	3"	BCMSM34877	55,46
3000 PSI	77	3"1/2	BCMSM35677	78,88
3000 PSI	90	3"1/2	BCMSM35690	78,88
3000 PSI	90	4"	BCMSM36490	84,26
6000 PSI	20	1/2"	BCMSM60820	20,68
6000 PSI	20	3/4"	BCMSM61220	29,09
6000 PSI	25	3/4"	BCMSM61225	29,09
6000 PSI	25	1"	BCMSM61625	36,06
6000 PSI	30	1"	BCMSM61630	36,06
6000 PSI	38	1"1/4	BCMSM62038	47,91
6000 PSI	38	1"1/2	BCMSM62438	71,32
6000 PSI	61	2"	BCMSM63261	71,99

BRIDAS SAE

SAE Flanges
Brides de fixation SAE
Flange SAE

Brida soldable macho serie L tubo métrico

Male welding flange L serie for metric tube

Bride à souder mâle série L tube métrique

Flangia a saldare di testa serie L tubo Metrico



SERIE	Ø EXT. Ø OUTER	TAMAÑO SIZE	Referencia Part n°	€
3000 PSI	20	1/2"	BMSLM30820	23,90
3000 PSI	22	1/2"	BMSLM30822	23,90
3000 PSI	28	3/4"	BMSLM31228	24,92
3000 PSI	35	1"	BMSLM31635	29,09
3000 PSI	43	1"1/4	BMSLM32043	33,25
3000 PSI	49	1"1/2	BMSLM32449	42,63
3000 PSI	61	2"	BMSLM33261	50,98
3000 PSI	77	2"1/2	BMSLM34077	46,03
3000 PSI	90	3"	BMSLM34890	83,32
3000 PSI	115	4"	BMSLM364115	84,26

Contrabrida soldable macho serie L tubo métrico

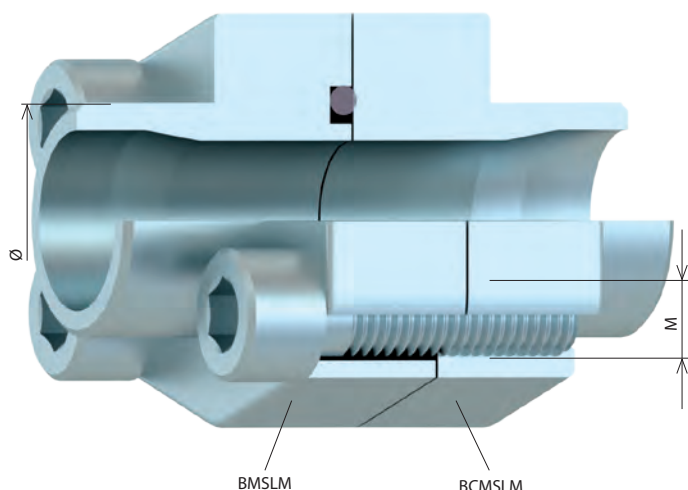
Male welding counter-flange L serie for metric tube

Contre-bride à souder mâle série L tube métrique

Controflangia a saldare di testa serie L tubo Metrico



SERIE	Ø EXT. Ø OUTER	TAMAÑO SIZE	Referencia Part n°	€
3000 PSI	20	1/2"	BCMSLM30820	23,90
3000 PSI	22	1/2"	BCMSLM30822	23,90
3000 PSI	28	3/4"	BCMSLM31228	24,92
3000 PSI	35	1"	BCMSLM31635	29,09
3000 PSI	43	1"1/4	BCMSLM32043	33,25
3000 PSI	49	1"1/2	BCMSLM32449	42,63
3000 PSI	61	2"	BCMSLM33261	39,03
3000 SPI	77	2"1/2	BCMSLM34077	46,03
3000 PSI	90	3"	BCMSLM34890	55,91
3000 PSI	115	4"	BCMSLM364115	84,26

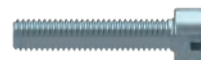


Tornillos para bridas SAE

Screws for SAE flanges

Vis pour brides SAE

Vite per flangia SAE



ROSCA THREAD	TAMAÑO SIZE	Referencia Part n°	€
M8X30	3000-6000 PSI 1/2"	TB8X30	0,29
M10X35	3000 PSI 3/4"-1"	TB10X35	0,64
M10X40	3000 PSI 1" 1/4 - 6000 PSI 3/4"	TB10X40	0,85
M12X45	3000 PSI 1"1/2-2"-2"1/2-6000 PSI 1"	TB12X45	1,23
M14X45	6000 PSI 1"1/4	TB14X45	1,58
M16X50	3000 PSI 3"-3" 1/2-4" - 6000 PSI 1" 1/2	TB16X50	2,01
M20X70	6000 PSI 2"	TB20X70	3,90

Juntas para bridas SAE 3000/6000 PSI

Seals for 3000/6000 PSI flange

Joints pour bride série 3000/6000

Guarnizioni per flangia SAE 3000/6000 PSI



TAMAÑO SIZE	Ø INT. Ø INNER	Ø EXT. Ø OUTER	Referencia Part n°	€
1/2"	17.02	25.40	JBR08	*
3/4"	23.36	31.72	JBR12	*
1"	31.24	39.62	JBR16	*
1"1/4	36.07	44.45	JBR20	*
1"1/2	45.34	53.98	JBR24	*
2"	54.86	63.50	JBR32	*

Ver precios en p.61 / *See prices page 61 / *Voir les prix page 61 / *Vedere prezzi p.61

Juntas tóricas para bridas SAE 3000/6000 PSI

O-rings for 3000/6000 PSI flange

O-rings pour bride série 3000/6000 PSI

O-rings per flangia SAE 3000/6000 PSI



TAMAÑO SIZE	Ø INT. Ø INNER	Referencia Part n°	€
1/2"	18.64	18.64X3.53	*
3/4"	24.99	24.99X3.53	*
1"	32.92	32.92X3.53	*
1"1/4	37.70	37.70X3.53	*
1"1/2	47.22	47.22X3.53	*
2"	56.74	56.74X3.53	*

Ver precios en p.61 / *See prices page 61 / *Voir les prix page 61 / *Vedere prezzi p.61

BRIDAS SAE

SAE Flanges
Brides de fixation SAE
Flange SAE

Brida roscada macho BSP

BSP Male threaded flange

Brides taraudées mâle BSP

Flangia maschio filettata BSP



SERIE	ROSCA THREAD	TAMAÑO SIZE	Referencia Part n°	€
3000 PSI	3/8" BSP	1/2"	BMRG30806	40,54
3000 PSI	1/2" BSP	1/2"	BMRG30808	35,36
3000 PSI	3/4" BSP	3/4"	BMRG31212	38,20
3000 PSI	1/2" BSP	3/4"	BMRG31208	34,27
3000 PSI	1" BSP	1"	BMRG31616	20,08
3000 PSI	3/4" BSP	1"	BMRG31612	20,08
3000 PSI	1"1/4 BSP	1"1/4	BMRG32020	25,04
3000 PSI	1" BSP	1"1/4	BMRG32016	25,04
3000 PSI	1"1/2 BSP	1"1/2	BMRG32424	33,76
3000 PSI	1"1/4 BSP	1"1/2	BMRG32420	33,76
6000 PSI	1/2" BSP	1/2"	BMRG60808	38,46
6000 PSI	3/8" BSP	1/2"	BMRG60806	41,53
6000 PSI	3/4" BSP	3/4"	BMRG61212	27,68
6000 PSI	1/2" BSP	3/4"	BMRG61208	50,91
6000 PSI	1" BSP	1"	BMRG61616	33,76
6000 PSI	3/4" BSP	1"	BMRG61612	33,76
6000 PSI	1"1/4 BSP	1"1/4	BMRG62020	48,16
6000 PSI	1" BSP	1"1/4	BMRG62016	48,16
6000 PSI	1"1/2 BSP	1"1/2	BMRG62424	60,93
6000 PSI	1"1/4 BSP	1"1/2	BMRG62420	67,12

Brida roscada macho métrico

Metric Male threaded flange

Brides taraudées mâle Métrique

Flangia maschio filettata Metrica



SERIE	ROSCA THREAD	TAMAÑO SIZE	Referencia Part n°	€
3000 PSI	M22x1,5	1/2"	BMRM30822	35,36
3000 PSI	M30x2	3/4"	BMRM31230	31,02
3000 PSI	M36x2	1"	BMRM31636	47,83
3000 PSI	M45x2	1"1/4	BMRM32045	57,16
3000 PSI	M52x2	1"1/2	BMRM32452	68,59
6000 PSI	M24x1.5	1/2"	BMRM60824	38,46
6000 PSI	M36X2	3/4"	BMRM61236	46,79
6000 PSI	M42x2	1"	BMRM61642	58,93
6000 PSI	M52x2	1"1/4	BMRM62052	67,28
6000 PSI	M52x2	1"1/2	BMRM62452	79,55

Bridas ciegas

Blind flanges

Brides avec obturateur fermé

Flangia cieche



SERIE	TAMAÑO SIZE	Referencia Part n°	€
3000 PSI	1/2"	BBC308	16,12
3000 PSI	3/4"	BBC312	14,30
3000 PSI	1"	BBC316	15,31
3000 PSI	1"1/4	BBC320	17,54
3000 PSI	1"1/2	BBC324	17,84
3000 PSI	2"	BBC332	38,67
3000 PSI	2"1/2	BBC340	44,58
3000 PSI	3"	BBC348	38,22
3000 PSI	3"1/2	BBC356	45,22
3000 PSI	4"	BBC364	48,26
3000 PSI	5"	BBC380	102,61
6000 PSI	1/2"	BBC608	15,92
6000 PSI	3/4"	BBC612	16,73
6000 PSI	1"	BBC616	19,06
6000 PSI	1"1/4	BBC620	22,61
6000 PSI	1"1/2	BBC624	26,56
6000 PSI	2"	BBC632	42,08

Contrabridas ciegas

Blind counter-flanges

Contre-brides avec obturateur fermé

Controflangia cieche



SERIE	TAMAÑO SIZE	Referencia Part n°	€
3000 PSI	1/2"	BCC308	13,59
3000 PSI	3/4"	BCC312	14,30
3000 PSI	1"	BCC316	16,73
3000 PSI	1"1/4	BCC320	21,70
3000 PSI	1"1/2	BCC324	28,43
3000 PSI	2"	BCC332	21,09
3000 PSI	2"1/2	BCC340	44,58
3000 PSI	3"	BCC348	38,22
3000 PSI	3"1/2	BCC356	45,22
3000 PSI	4"	BCC364	91,14
3000 PSI	5"	BCC380	102,61
6000 PSI	1/2"	BCC608	15,92
6000 PSI	3/4"	BCC612	16,73
6000 PSI	1"	BCC616	19,06
6000 PSI	1"1/4	BCC620	22,61
6000 PSI	1"1/2	BCC624	26,56
6000 PSI	2"	BCC632	42,08

BRIDAS SAE

SAE Flanges
Brides de fixation SAE
Flange SAE

Brida partida pasante

SAE Split flange

Demi-bride SAE passage total

Semiflangia SAE



SERIE SERIES	TAMAÑO SIZE	Referencia Part n°	€
3000 PSI	1/2"	BBP308	*
3000 PSI	3/4"	BBP312	*
3000 PSI	1"	BBP316	*
3000 PSI	1"1/4	BBP320	*
3000 PSI	1"1/2	BBP324	*
3000 PSI	2"	BBP332	*
3000 PSI	2"1/2	BBP340	*
3000 PSI	3"	BBP348	*
3000 PSI	3"1/2	BBP356	*
3000 PSI	4"	BBP364	*
6000 PSI	1/2"	BBP608	*
6000 PSI	3/4"	BBP612	*
6000 PSI	1"	BBP616	*
6000 PSI	1"1/4	BBP620	*
6000 PSI	1"1/2	BBP624	*
6000 PSI	2"	BBP632	*

Ver precios en p.58 (Conexiones Standard) / *See prices in p.58 (Standard Serie Fittings) / *Prix à la p.58 (Emboutis Série Standard) / *Vedere prezzi p.58 (Raccordi Serie Standard)

Contrabrida rosca Métrica

Metric threaded counter-flange

Contre-bride métrique

Controflangia filettata Metrica



SERIE	TAMAÑO SIZE	Referencia Part n°	€
3000 PSI	1/2"	BCE308	14,16
3000 PSI	3/4"	BCE312	15,18
3000 PSI	1"	BCE316	17,47
3000 PSI	1"1/4	BCE320	20,60
3000 PSI	1"1/2	BCE324	23,90
3000 PSI	2"	BCE332	43,67
3000 PSI	2"1/2	BCE340	57,31
3000 PSI	3"	BCE348	63,37
3000 PSI	3"1/2	BCE356	93,99
3000 PSI	4"	BCE364	117,92
3000 PSI	5"	BCE380	143,36
6000 PSI	1/2"	BCE608	16,25
6000 PSI	3/4"	BCE612	19,56
6000 PSI	1"	BCE616	17,54
6000 PSI	1"1/4	BCE620	25,35
6000 PSI	1"1/2	BCE624	51,20
6000 PSI	2"	BCE632	99,65

Brida entera pasante

SAE Flange

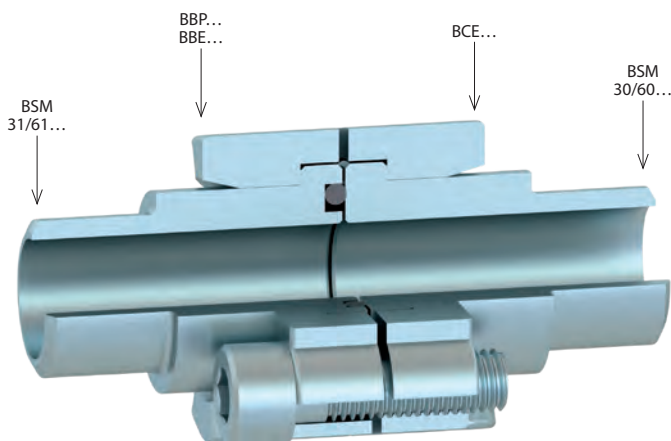
Bride SAE monobloc passage total

Flangia monoblocco SAE



SERIE SERIES	TAMAÑO SIZE	Referencia Part n°	€
3000 PSI	1/2"	BBE308	*
3000 PSI	3/4"	BBE312	*
3000 PSI	1"	BBE316	*
3000 PSI	1"1/4	BBE320	*
3000 PSI	1"1/2	BBE324	*
3000 PSI	2"	BBE332	*
3000 PSI	2"1/2	BBE340	*
3000 PSI	3"	BBE348	*
3000 PSI	3"1/2	BBE356	*
3000 PSI	4"	BBE364	*
3000 PSI	5"	BBE380	*
6000 PSI	1/2"	BBE608	*
6000 PSI	3/4"	BBE612	*
6000 PSI	1"	BBE616	*
6000 PSI	1"1/4	BBE620	*
6000 PSI	1"1/2	BBE624	*
6000 PSI	2"	BBE632	*

Ver precios en p.61 (Conexiones Standard) / *See prices in p.61 (Standard Serie Fittings) / *Prix à la p.61 (Emboutis Série Standard) / *Vedere prezzi p.61 (Raccordi Serie Standard)



BRIDAS SAE

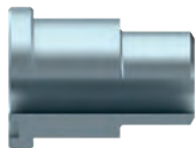
SAE Flanges
Brides de fixation SAE
Flange SAE

Brida cono soldable tubo métrico

Flange welding adaptor for metric tube

Bride collet à souder tube métrique

Flangia adattatore a saldare per tubo Metrico



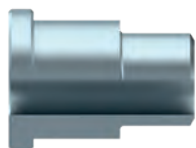
SERIE	Ø EXT. Ø OUTER	TAMAÑO SIZE	Referencia Part n.º	€
3000 PSI	16	1/2"	BSM310816	19,53
3000 PSI	25	3/4"	BSM311225	7,30
3000 PSI	30	1"	BSM311630	10,24
3000 PSI	38	1"1/4	BSM3132038	11,66
3000 PSI	45	1"1/2	BSM312445	14,60
3000 PSI	60	2"	BSM313260	17,54
3000 PSI	70	2"1/2	BSM314070	44,51
3000 PSI	80	3"	BSM314880	78,48
3000 PSI	100	3"1/2	BSM3156100	102,30
3000 PSI	114.3	4"	BSM31641143	114,77
3000 PSI	139.7	5"	BSM31801397	141,24
6000 PSI	16	1/2"	BSM610816	7,30
6000 PSI	25	3/4"	BSM611225	10,24
6000 PSI	30	1"	BSM611630	14,60
6000 PSI	38	1"1/4	BSM612038	17,54
6000 PSI	45	1"1/2	BSM612445	21,80
6000 PSI	60	2"	BSM613260	29,10

Contrabrida cono soldable tubo métrico

Counter-flange welding adaptor for metric tube

Contrebride collet à souder tube métrique

Controflangia adattatore a saldare per tubo Metrico



SERIE	Ø EXT. Ø OUTER	TAMAÑO SIZE	Referencia Part n.º	€
3000 PSI	16	1/2"	BSM300816	13,28
3000 PSI	25	3/4"	BSM301225	14,80
3000 PSI	30	1"	BSM301630	15,61
3000 PSI	38	1"1/4	BSM302038	20,28
3000 PSI	45	1"1/2	BSM302445	25,75
3000 PSI	60	2"	BSM303260	33,56
3000 PSI	70	2"1/2	BSM304070	44,51
3000 PSI	80	3"	BSM304880	60,12
3000 PSI	100	3"1/2	BSM3056100	102,30
3000 PSI	114.3	4"	BSM30641143	114,77
3000 PSI	139.7	5"	BSM30801397	141,24
6000 PSI	16	1/2"	BSM600816	14,09
6000 PSI	25	3/4"	BSM601225	17,95
6000 PSI	30	1"	BSM601630	20,28
6000 PSI	38	1"1/4	BSM602038	23,42
6000 PSI	45	1"1/2	BSM602445	29,71
6000 PSI	60	2"	BSM603260	49,17

Cono Cetop soldable exterior

Cetop welding adaptor

Collet Cetop à souder

Adattatore a saldare Cetop



SERIE	Ø EXT. Ø OUTER	TAMAÑO SIZE	Referencia Part n.º	€
3000 PSI	18	3/8"	BCTS30618	11,56
6000 PSI	18	3/8"	BCTS60618	13,89

Bridas Cetop

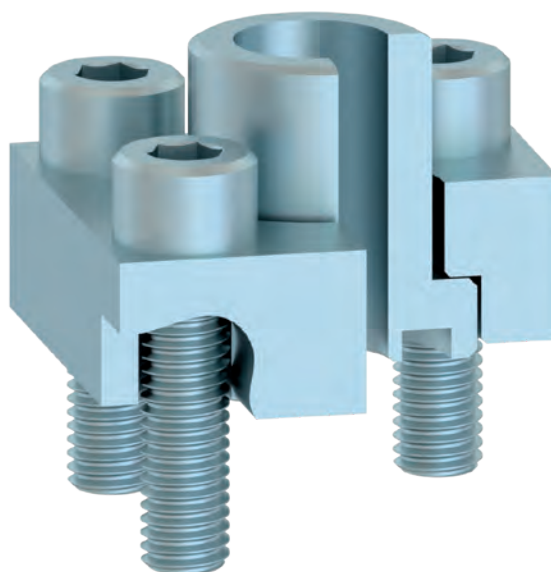
Cetop flanges

Brides Cetop

Flangia Cetop



SERIE	Ø INT. Ø INNER	TAMAÑO SIZE	Referencia Part n.º	€
3000 PSI	31	1/2"	BCT30831	11,56

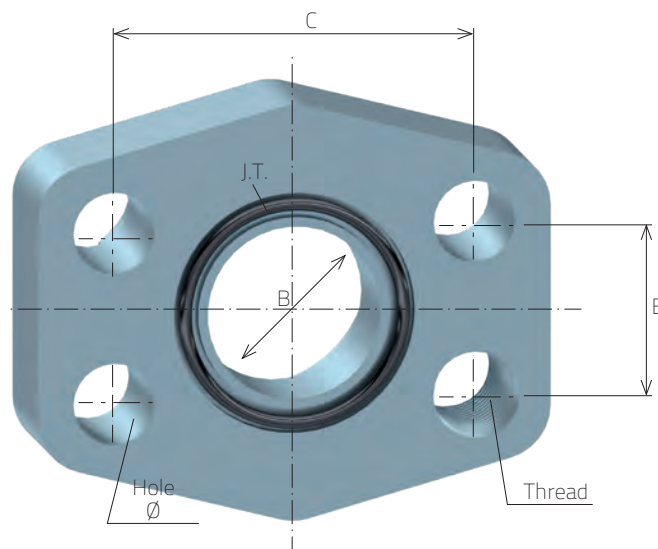


BRIDAS SAE

SAE flanges
Brides SAE
Flangia SAE

Características comunes

Common characteristics
Données communes
Caratteristiche comuni



Bridas 3000 PSI

Flanges 3000 PSI
Brides 3000 PSI
Flangia 3000 PSI

Tamaño	Max. pre.	B	C	E	O'ring NBR	Junta PU	Ø	Tornillo *	Rosca
1/2"	345 bar	13	38,1	17,48	18,64 x 3,53	JBR08	9	TB8X30	M8
3/4"	345 bar	19	47,63	22,23	24,99 x 3,53	JBR12	11	TB10X35	M10
1"	345 bar	25	52,37	26,19	32,92 x 3,53	JBR16	11	TB10X35	M10
1 1/4"	276 bar	32	58,72	30,18	37,70 x 3,53	JBR20	11,5	TB10X40	M10
1 1/2"	207 bar	38	69,85	35,71	47,22 x 3,53	JBR24	13,5	TB12X45	M12
2"	207 bar	51	77,77	42,88	56,74 x 3,53	JBR32	13,5	TB12X45	M12
2 1/2"	172 bar	63	88,9	50,8	66,27 x 3,53		13,5	TB12X45	M12
3"	138 bar	73	106,38	61,93	85,32 x 3,53		17,5	TB16X50	M16
3 1/2"	34 bar	89	120,65	69,85	98,02 x 3,53		17,5	TB16X50	M16
4"	34 bar	99	130,18	77,77	110,72 x 3,53		17,5	TB16X50	M16

Bridas 6000 PSI

Flanges 6000 PSI
Brides 6000 PSI
Flangia 6000 PSI

Tamaño	Max. pre.	B	C	E	O'ring NBR	Junta PU	Ø	Tornillo *	Rosca
1/2"	414 bar	13	40,49	18,24	18,64 x 3,53	JBR08	9	TB8X30	M8
3/4"	414 bar	19	50,8	23,8	24,99 x 3,53	JBR12	11	TB10X40	M10
1"	414 bar	25	57,15	27,76	32,92 x 3,53	JBR16	13	TB12X45	M12
1 1/4"	414 bar	32	66,68	31,75	37,70 x 3,53	JBR20	15	TB14X45	M14
1 1/2"	414 bar	38	79,38	36,5	47,22 x 3,53	JBR24	17	TB16X50	M16
2"	414 bar	51	98,82	44,45	56,74 x 3,53	JBR32	21	TB20X70	M20

* Tornillos en acero carbono. Para tornillos en acero inoxidable, pedir ZTB...

Screws are in carbon steel. For Stainless Steel screws, ask for ZTB... part number.
Les vis sont en acier carbone. Pour vis en acier inoxydable, veuillez demander les références ZTB ...
Le viti sono in acciaio al carbonio. Per viti in acciaio inox, ordinare con codice ZTB...